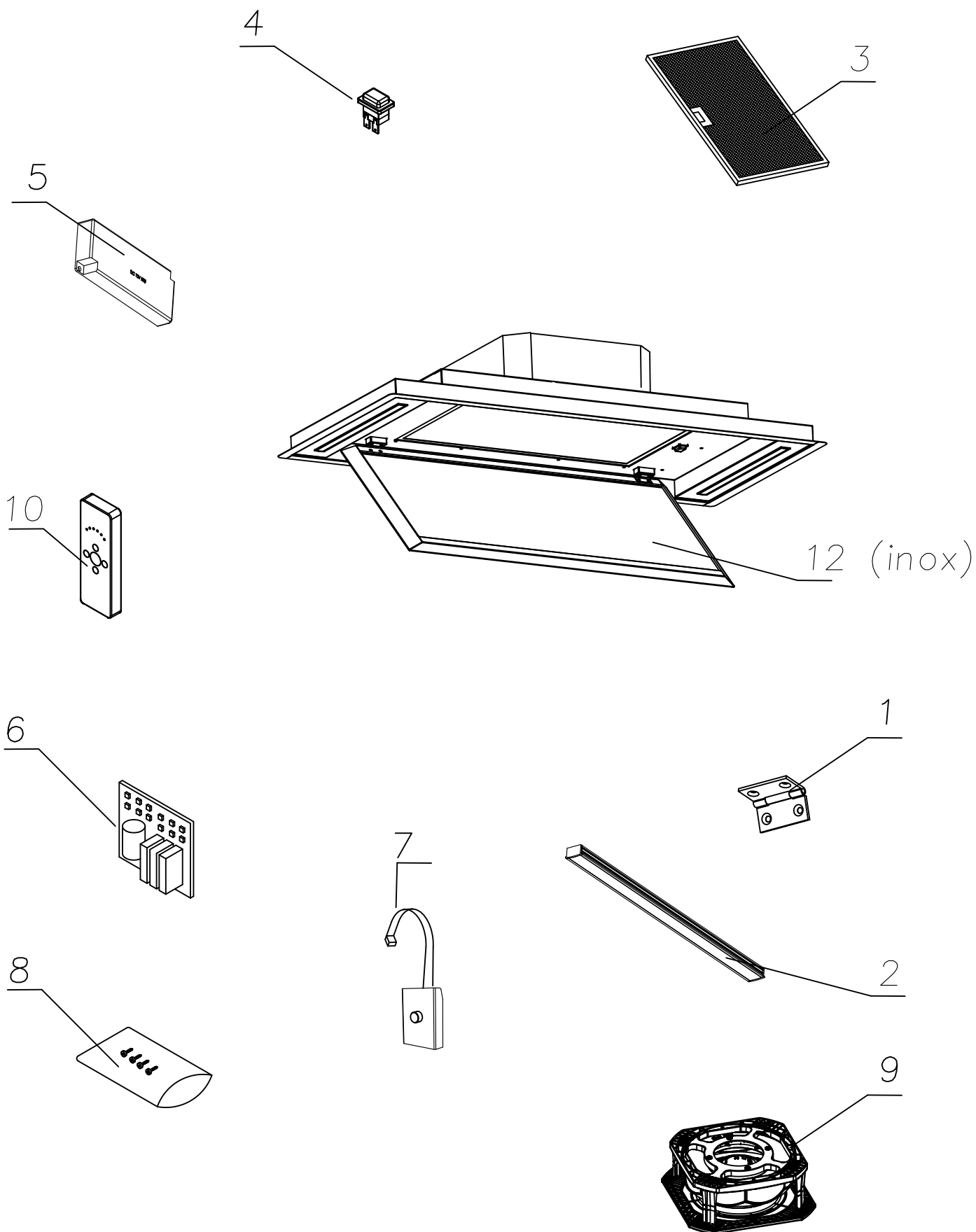


SUT958 H200



30/04/2020



DEUSA000068